



PennEngineering

Corporate Headquarters - Danboro, PA

5190 Old Easton Rd.

Danboro, PA 18916

Phone: 215-766-8853

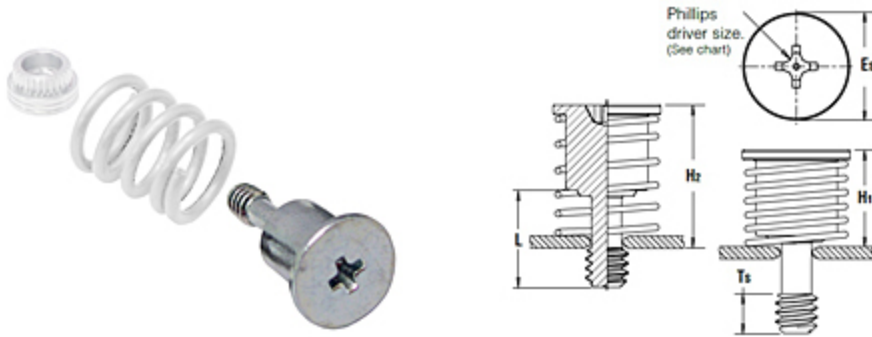
Toll-Free Phone: 1-800-237-4736 (U.S. only)

Email: info@pemnet.com

Website: www.pemnet.com

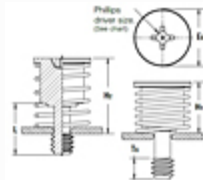
Part # HSCB-440-4ZI, HSCB™ Self Captivating Screw - Unified

- Low cost design.
- Small, compact and low profile design for limited access areas.
- Two screw lengths.
- Universal slot/Phillips recess standard.

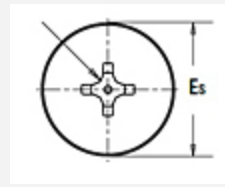


Specifications

Thread Size	.112-40 (#4-40)
Type	HSCB
Thread Code	440
Screw Length Code	4
L ± .015	.320 in
Min. Sheet Thickness	.040 in
Hole Size in Sheet + 0.003 - 0.000	.112 in
Es ± .010	.312 in
H1 Ref.	.300 in
H2 Ref.	.470 in
Ts Min.	.130 in



#1 Phillips

**Driver Size****Min. Dist. Hole C/L to Edge**

.156 in

Thread Specification¹External ASME B1.1,
2A**Material**

Hardened Carbon Steel

FinishZinc plated (5 μ m), Type
per ASTM III, colorless
B633, SC1**For Use in Sheet Hardness**HRB 80 or Less (Hardness Rockwell "B" Scale)
HB 150 or Less (Hardness Brinell)**CAD View**

Unfastened

CAD Supplier

PennEngineering® (PEM®)

¹ As with all Class 2A/6g external threads with an additive finish, the maximum major and pitch, after plating, may equal basic sizes and be gauged to Class 3A/4h, per ANSI B1.1, Section 8, Table 3A and ANSI B1.13M, Section 8, Paragraph 8.2.